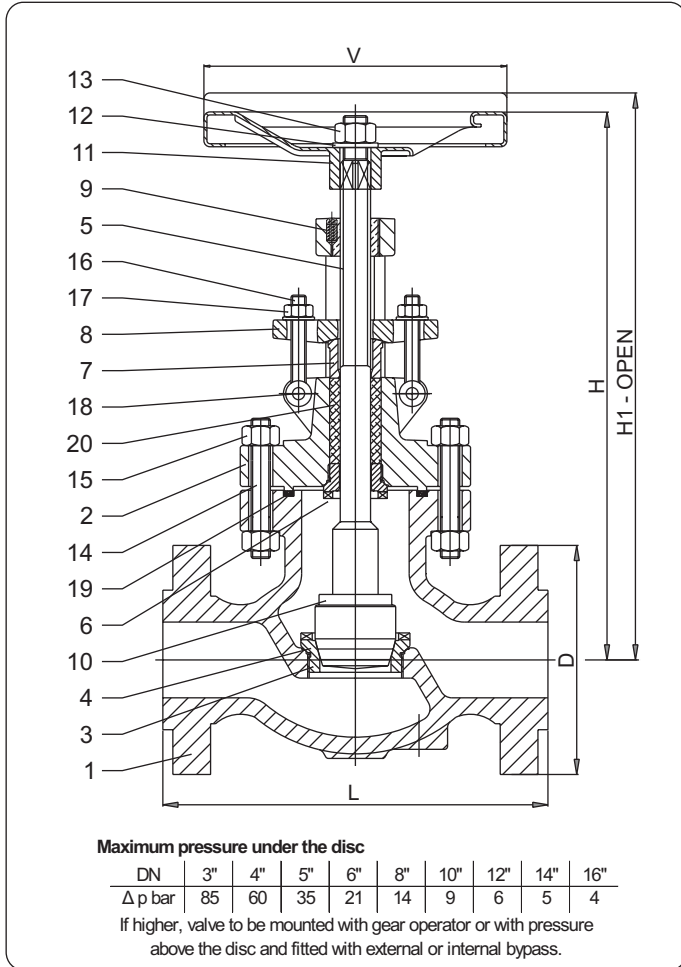


standard features



- **Description** BOLTED BONNET
OUTSIDE SCREW AND YOKE
RISING STEM
RISING HANDWHEEL
SWIVEL PLUG DISC
RENEWABLE SEATS
- **Design** BS 1873
ASME B16.34
WALL THICKNESS TO API 600
- **Face to face** ASME B16.10
- **Flanges** ASME B16.5
BW ENDS TO ASME B16.25
- **Testing** API 598
API 6D
BS 6755
- **Rating** ASME B16.34
- **Marking** MSS-SP 25
CE - PED
- **Certificates** EN 10204 – 3.1 B

PART NAME	W46x	L46x	M46x	C46x	B46x	E46x	D46x	F46x	H46x
1 Body	WCB	LCB	WC6	C5	C12	CF8	CF8C	CF8M	CF3M
2 Bonnet	WCB	LCB	WC6	C5	C12	CF8	CF8C	CF8M	CF3M
3 Seat ring surface	F6A (1)	F6A (1)	F6A (1)	F6A (1)	F6A (1)	F304 (1)	F321 (1)	F316 (1)	F316L (1)
4 Disc seat surface	F6A (2)	F6A (2)	F6A (2)	F6A (2)	F6A (2)	F304 (2)	F321 (2)	F316 (2)	F316L (2)
5 Stem	F6A (3)	F6A (3)	F6A (3)	F6A (3)	F6A (3)	F304 (3)	F321 (3)	F316 (3)	F316L (3)
6 Back seat	F6A	F6A	F6A	F6A	F6A	F304	F321	F316	F316L
7 Gland	F6A	F6A	F6A	F6A	F6A	F304	F321	F316	F316L
8 Gland flange	A105	F316	F316	F316	F316	F316	F316	F316	F316L
9 Yoke sleeve	B148 9A (4)	B148 9A (4)	Nod.Iron	Nod.Iron	Nod.Iron	B148 9A (4)	B148 9A (4)	B148 9A (4)	B148 9A (4)
10 Disc nut	F6A	F6A	F6A	F6A	F6A	F304	F321	F316	F316L
11 Handwheel					Steel				
12 Plate					A105				
13 Handwheel nut					A105				
14 Bolts	B7	L7	B16	B16	B16	B8	B8	B8	B8
15 Nuts	2H	G4	G4	G4	G4	G8	G8	G8	G8
16 Eye bolts	B7	B7	B8	B8	B8	B8	B8	B8	B8
17 Nuts	2H	2H	2H	2H	2H	G8	G8	G8	G8
18 Eye bolt pin	B7	B7	B7	B7	B7	B8	B8	B8	B8
19 Gasket						S.S spiral wound reinf. graphite / RTJ (5)			
20 Packing						Graphite rings & wiper rings (6)			

- (1) On request: faced with Stellite® - Monel® - Hastelloy® - other materials
- (2) On request: faced with Stellite® - Monel® - Hastelloy® - other materials
- (3) On request: 17 Cr - Monel® - Hastelloy® - other materials

- (4) On request: Nodular Iron - Nitronic 60
- (5) On request: PTFE - other materials
- (6) On request: PTFE - other materials

All data, subject to technical changes, are only for information and not for official use.



VALVOSIDER s.r.l. - Via S. Rocco, 2 - P.O. BOX 76 - 13011 Borgosesia (VC) - Italy
 Phone: +39016322991 - Fax: +39016321537 - www.valvosider.com - e-mail: valvo@valvosider.com

GLOBE VALVES

ASME 150 - 300 - 600 - 900 - 1500

VALVOSIDER
MANUFACTURER OF VALVES

FIG. N. 460 - GLOBE VALVES ASME CLASS 150

SIZE	2"	2½"	3"	4"	5"	6"	8"	10"	12"	14"	16"	--	--	--	--
L RF/BW	203	216	241	292	356	406	495	622	699	787	914	--	--	--	--
L RTJ	216	219	254	305	368	419	508	635	711	800	927	--	--	--	--
D	152	178	191	229	254	279	343	406	483	533	597	--	--	--	--
V	200	200	225	250	300	300	400 *	600 *	600 *	800 *	1000 *	--	--	--	--
H	320	350	380	430	480	560	680	750	860	910	1240	--	--	--	--
H1	335	370	404	460	518	605	740	825	950	1025	1375	--	--	--	--

FIG. N. 461 - GLOBE VALVES ASME CLASS 300

SIZE	2"	2½"	3"	4"	5"	6"	8"	10"	12"	14"	16"	--	--	--	--
L RF/BW	267	292	318	356	400	445	559	622	711	838	864	--	--	--	--
L RTJ	282	308	333	371	416	460	549	638	727	854	879	--	--	--	--
D	165	191	210	254	279	318	381	445	521	584	648	--	--	--	--
V	200	225	225	300	300	400 *	500 *	600 *	600 *	800 *	1000 *	--	--	--	--
H	390	400	410	440	570	680	800	850	1010	1150	1380	--	--	--	--
H1	405	420	434	470	608	725	860	925	1100	1255	1515	--	--	--	--

FIG. N. 462 - GLOBE VALVES ASME CLASS 600

SIZE	2"	2½"	3"	4"	5"	6"	8"	10"	12"	14"	16"	--	--	--	--
L RF/BW	292	330	356	432	508	559	660	787	838	889	991	--	--	--	--
L RTJ	295	333	359	435	511	562	663	790	841	892	994	--	--	--	--
D	165	191	210	273	330	356	419	508	559	603	686	--	--	--	--
V	200	250	250	300 *	500 *	600 *	600 *	700 *	800 *	800 *	1000 *	--	--	--	--
H	350	515	545	600	686	780	840	1235	1311	1430	1670	--	--	--	--
H1	365	535	569	630	724	825	900	1310	1401	1552	1805	--	--	--	--

FIG. N. 463 - GLOBE VALVES ASME CLASS 900

SIZE	2"	2½"	3"	4"	5"	6"	8"	10"	12"
L RF/BW	368	419	381	457	559	610	737	838	965
L RTJ	371	422	384	460	562	613	740	842	968
D	216	244	241	292	349	381	470	546	610
V	300	300	400 *	500 *	650 *	700 *	900 *	1000 *	1000 *
H	575	690	590	720	870	973	1140	1500	1680
H1	590	710	614	750	908	1018	1200	1575	1770

FIG. N. 464 - GLOBE VALVES ASME CLASS 1500

SIZE	2"	2½"	3"	4"	5"	6"	8"	10"	12"
L RF/BW	368	419	470	546	673	705	832	991	1130
L RTJ	371	422	473	549	676	711	842	1000	1146
D	216	244	267	311	375	394	483	584	673
V	300 *	400 *	500 *	500 *	700 *	900 *	1000 *	1000 *	1000 *
H	575	690	770	840	902	973	1043	1670	1750
H1	590	710	794	870	940	1018	1103	1745	1860

* Gear operator recommended

features on request

- TOP FLANGE TO ISO 5210
- GEAR OPERATOR
- CHAIN WHEEL OPERATOR
- PNEUMATIC ACTUATOR
- HYDRAULIC ACTUATOR
- ELECTRIC ACTUATOR
- POSITION INDICATOR
- LIMIT SWITCHES
- LOCKING / INTERLOCK SYSTEM
- DISC WITH PTFE INSERT
- PARABOLIC DISC
- STOP CHECK DISC
- STEM PROTECTION
- STEM EXTENSION
- LANTERN RING
- EXTENDED STUFFING BOX
- LIVE LOADED PACKING
- DRAIN PLUG
- BY PASS
- BW ENDS
- DIN CONNECTIONS

All dimensions in mm (except where differently indicated)

All data, subject to technical changes, are only for information and not for official use.



VALVOSIDER s.r.l. - Via S. Rocco, 2 - P.O. BOX 76 - 13011 Borgosesia (VC) - Italy
Phone: +39016322991 - Fax: +39016321537 - www.valvosider.com - e-mail: valvo@valvosider.com